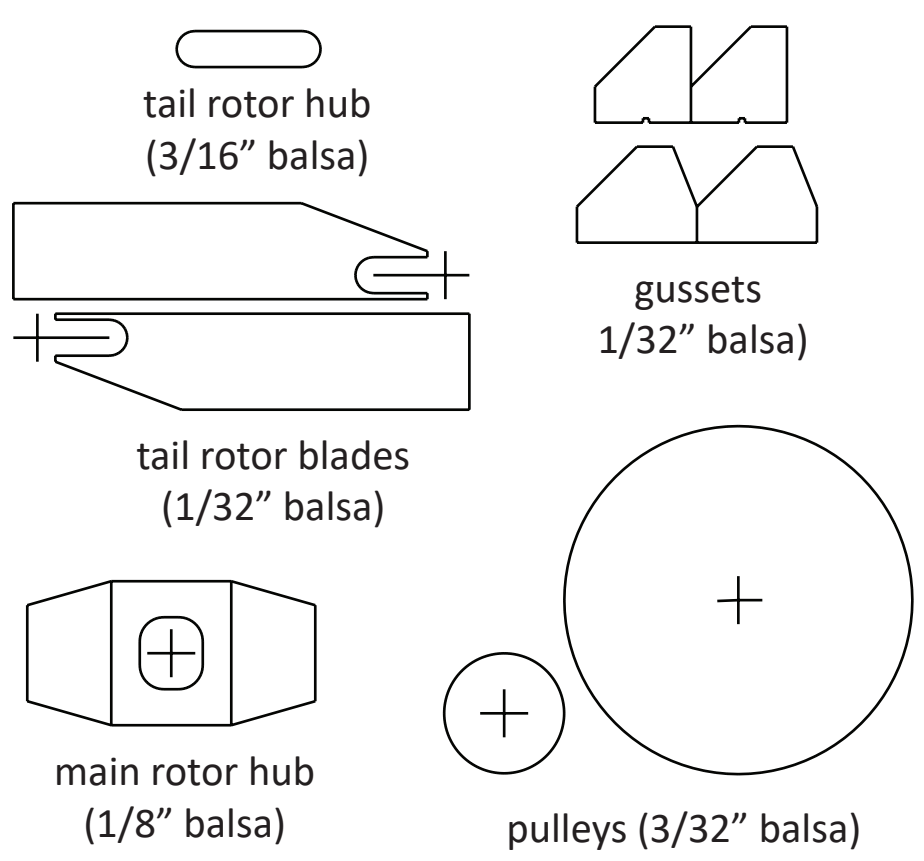
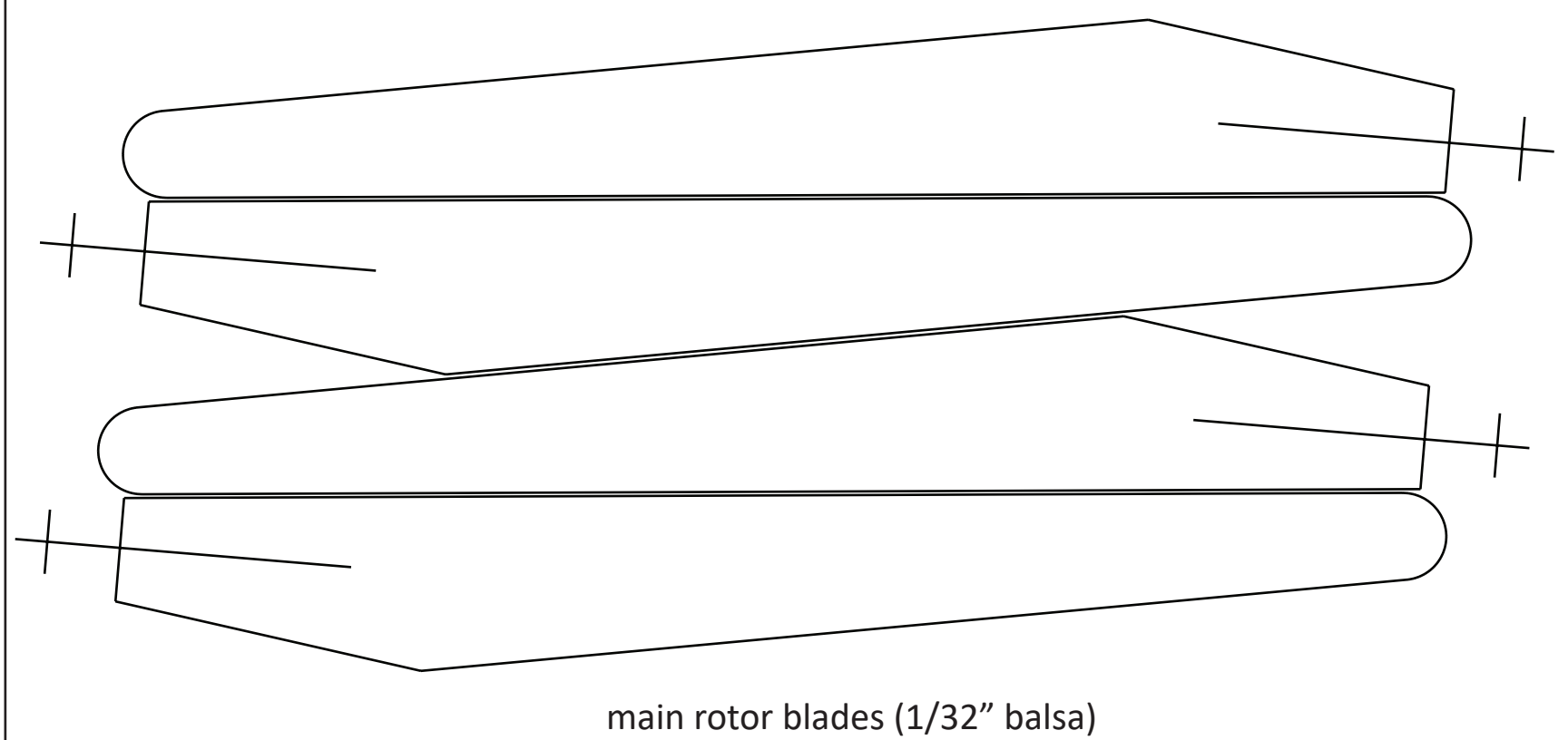
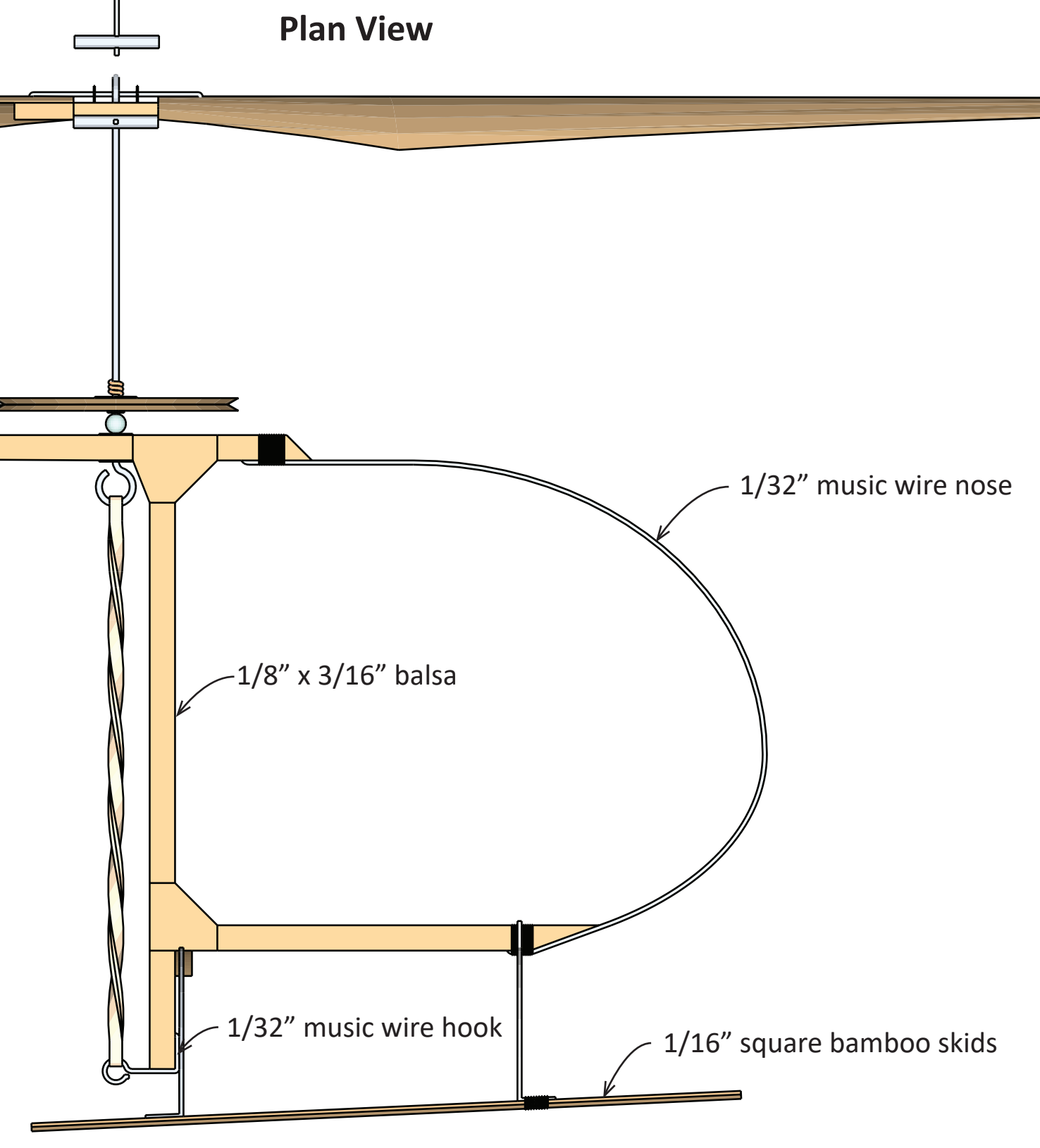
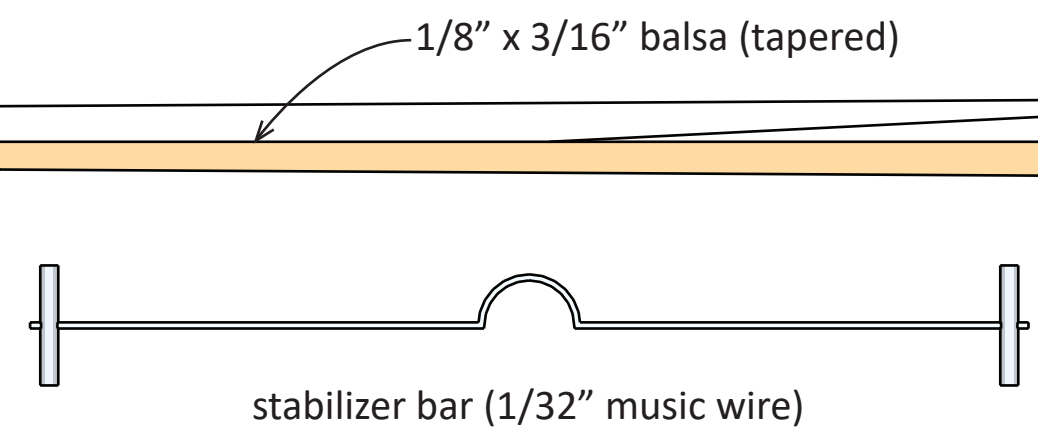
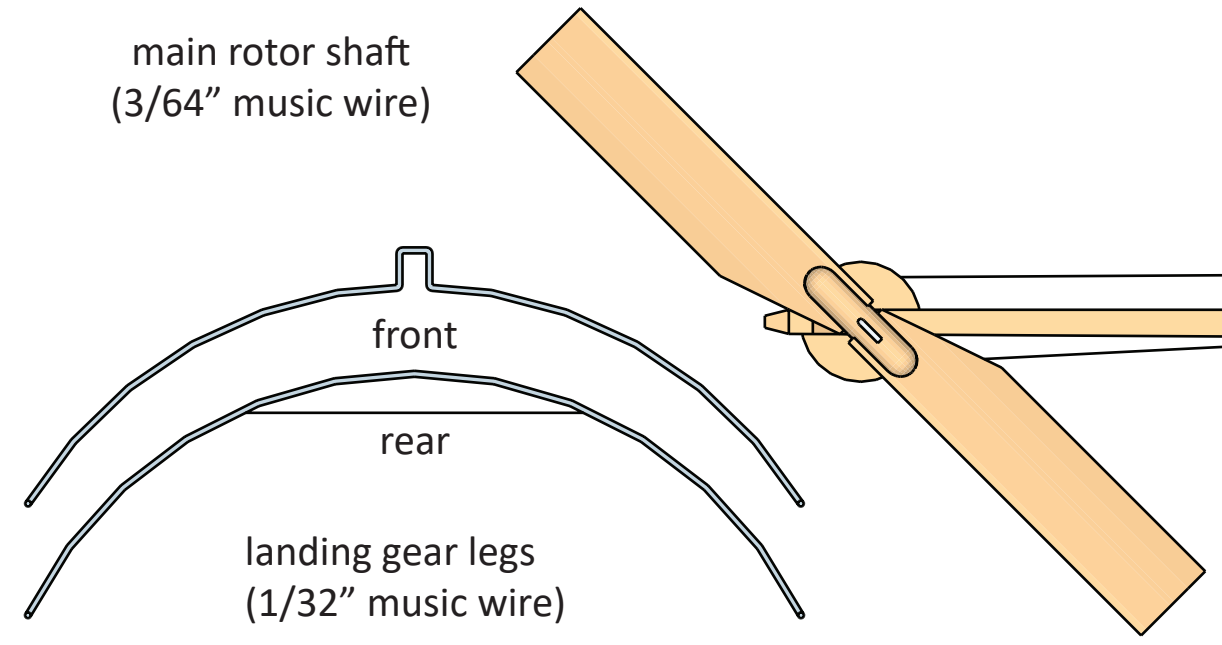
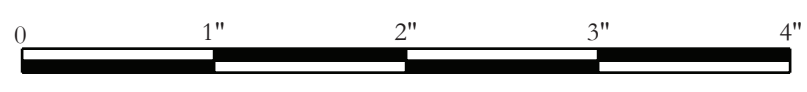


main rotor shaft
(3/64" music wire)



Cutting Patterns



Project 8 - Rubber-Powered Helicopter
Full-Size Layout Drawing and Cutting Patterns